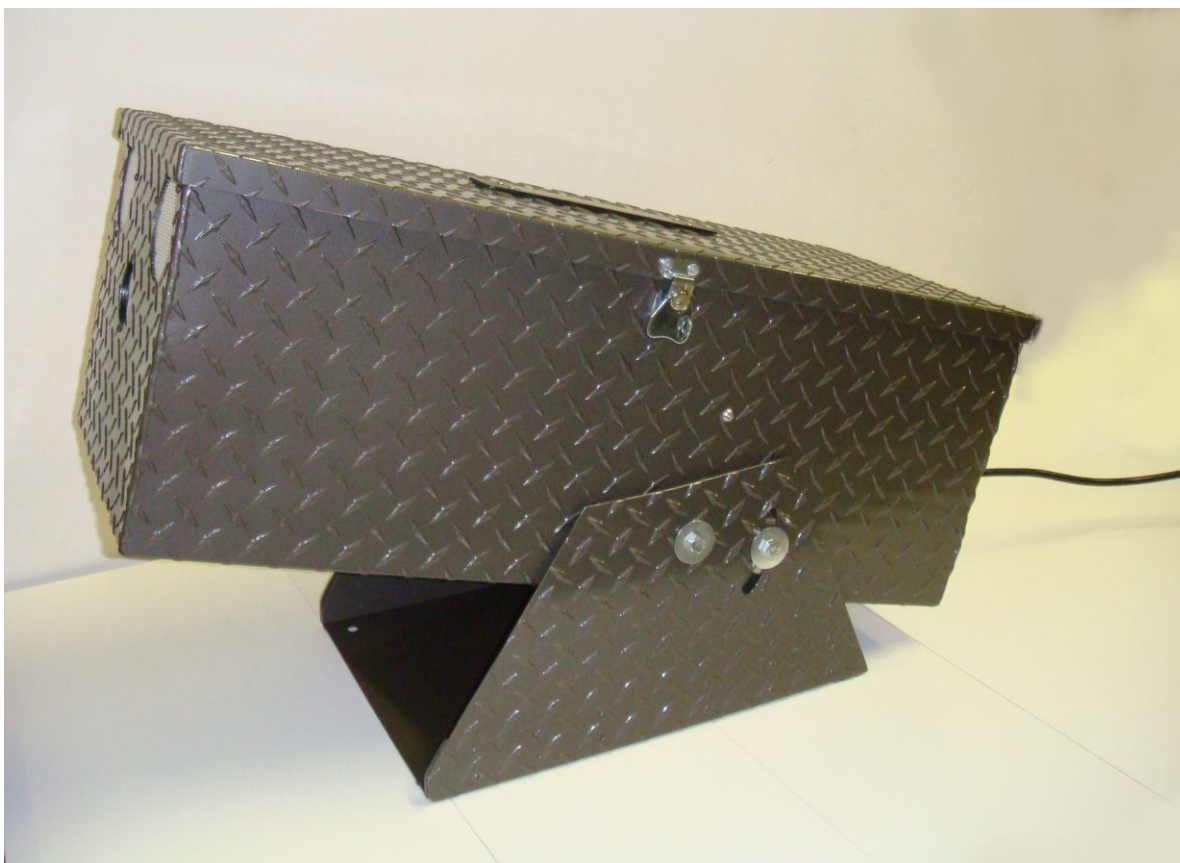


RAZ300™

With Outdoor Enclosure



Instruction Manual

All rights reserved. Improvement and changes to specifications, design, and this user's manual may be made at any time without prior notice.

LIGHTING BEYOND THE ORDINARY



Office/Factory: 990 Richard Road, Dyer, Indiana 46311
Phone: (877)264-2153, (219)322-8800
E-Mail: sales@razlight.com
Website: razlight.com holidayprojector.com

Lighting

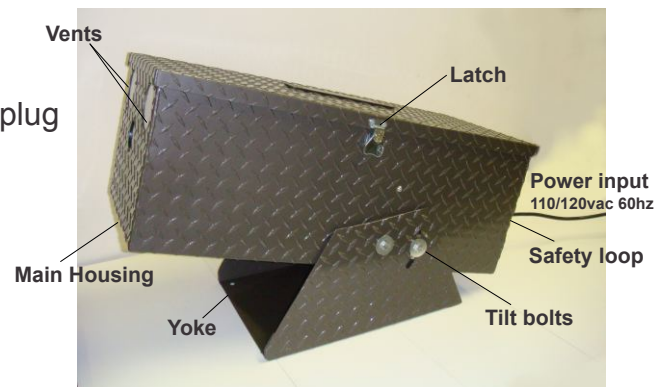
General Information

Unpacking:

Thank you for your purchase of this product. Every product has been thoroughly tested and carefully packed before delivery. Unpack the shipping carton carefully, saving the carton and all packaging materials for possible later use. Check carefully to assure your product is not damaged and all accessories are included. If your product appears to be damaged or missing, please do not use it and contact RazTech Lighting immediately.

Pack Accessory List:

HTI 300w/d5/57 metal halide lamp installed
1.5 m 3-pin American Plug mains cable with female IEC plug
Support lens and effects, standard
Standard lens (1:2.4/100 mm)
Two electrified guides (optional)
Two Bakelite Screws (optional)
Owner's guide



Raz300 with Enclosure

! Safety Instructions:

Raztech Lighting recommends the installation technician be a qualified electrician. This product must be earthed. Do not make any inflammable liquids, water, or metal objects enter this unit.
Very hot lamp. disconnect the power and wait for at least 10 minutes before you can replace the lamp.
Make sure the fan and the air inlets are clean and not blocked by anything before using.
Do not operate this unit if the ambient temperature (T_a) exceeds 40 degrees C (104 degrees F).
Do not stare directly into the light, as may do harm to your eyes.
Keep all flammable materials at least 1 meter away from this unit.
Never operate this unit when its cover is removed.
Keep this unit out of reach of children.
Do not dismantle or modify the unit.
Unplug the fixture from the AC outlet and allow the fixture to cool before any service.

! IMPORTANT!!

Never disconnect or reconnect the power frequently during operation, this will shorten the lamp life. Wait at least 10 minutes to cool down the lamp completely before restarting this unit. (The warm lamp will cause the igniter holding the lamp to be in a glow state.) The hatch on the Lighting unit is equipped with a switch that will disable power to the unit if hatch is not secured.

MAIN FEATURES

Powerful communication tool to create maximum and lasting visual image

Die-cast and extruded aluminum finish

Forced fan cooling system

Twin lens condenser, spherical reflector and external standard lens (1:2.4/100mm)

Different diameters gobos and filters are optional for static or motorized effects

The Raz300 has a Thermal cut-out and fuse safety protection

Micro switch cuts off electricity supply when cover is opened

Provides a wide range of optional effects on request

Wide applications: Shop fittings, Discotheques, Fashion parades, Fairs, Event-marketing, etc

Raz300 is a modular system designed specially for image presentations.

Raz300 is fitted with a 300 Watt HTI 300 arc lamp which has a light output of 20,000 lumens at lens.

SIMPLE

This projector is compact, easy to use and entertaining.

SAFE

The low voltage used for the effects eliminates the risk of electric shock. Forced cooling design reduces operating and surface temperature.

STYLING

The projector is elegantly styled, fit in anywhere and runs quietly over long periods with low operating costs.

OPERATION GUIDE

This is a High-Tech product. When you are sure you have set up this unit properly, you can operate this unit freely.

1. Always be sure to mount this unit in the area that will allow proper ventilation.
2. Check that the local power outlet match that of the required voltage of your unit.
3. Plug this unit into the AC outlet, the switch on the Raz300 fixture is normally on.
4. The lamp will light slowly and both cooling fans will start immediately.

PREPARATION

FIRST TIME SETUP

1. Unpack the shipping container carefully, assemble the accessories to fit in their right positions for proper attachment.
2. This unit can be hung or placed in any safe, secure surface by means of its adjustable mounting bracket. With outdoor enclosure mount fixture upright only. Check light beam alignment and adjust with tilt knobs or mounting screws.
3. When you are sure this unit is ready for operation, plug this unit into the appropriate AC outlet.

WARNING!!!!

The installation should be done by qualified staff only. Do not obstruct the fan cooling vents.

LENS FOCUSING

1. Mount the fixture in your final desired position and make sure the fan vents are not covered.
2. Move complete lens assembly along guides for rough focus, see (fig. A).
3. Adjust the lens by moving the lens assembly front to back to reach proper focus.
4. Tighten the thumb screw after you achieve your desired focus.

Image/Film/Gobo Changing

1. Unclip the film holder from the two rods and remove film holder from unit.
2. Unclip the image from holder and replace, observe orientation of image when removing.
3. Reverse process to install film and film holder.

Lens Assemblies

The are two adjustable lens assemblies on the rails. The lens assemblies can be moved along the rails to focus and zoom. To provide the smallest image size remove one of the lens assemblies and then focus. To provide the largest image size position both lens assemblies with the lenses closest to each other, then focus.

Always wear safety glasses

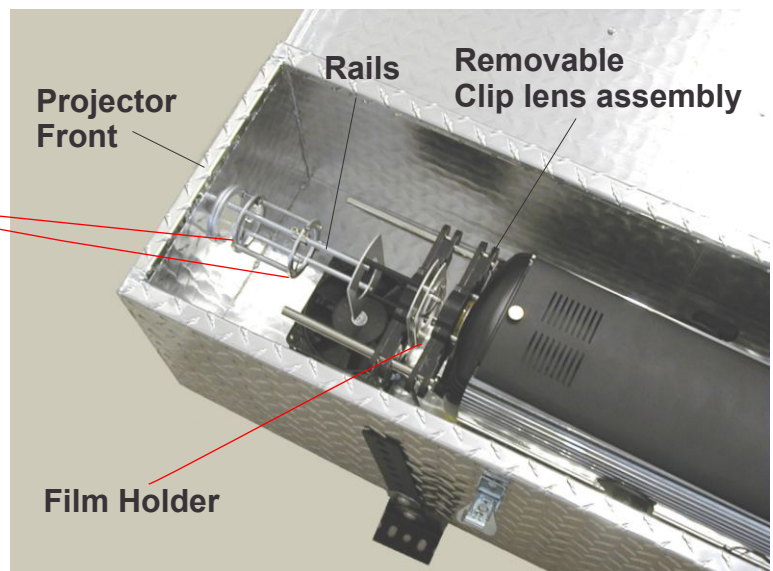


Figure A

CLEANING

1. Disconnect the fixture from AC power and allow the fixture to cool down completely.
2. Use normal glass cleaner and a soft cloth to wipe down the outside casing and external lens.
3. Use only soft cloth to clean the internal optics.
4. Always be sure to dry all parts completely before plugging in.

LAMP REPLACEMENT

METAL HALIDE LAMP WARNING!!!

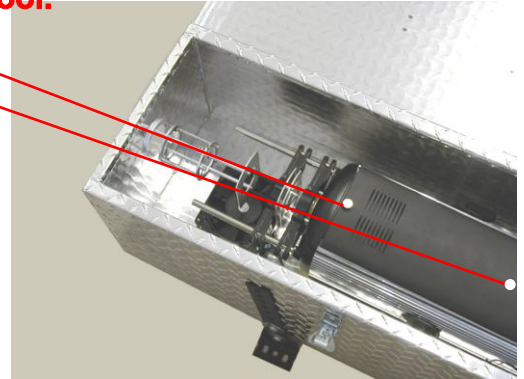
This fixture is fitted with a metal halide lamp which is highly susceptible to damage if improperly handled. Do not touch the bulb of the lamp with bare fingers (this can cause damages). The lamp contains small quantities of materials that will be harmful to the environment, please dispose of the damaged lamp properly.

TO REPLACE THE LAMP

1. Disconnect the fixture from power and **allow the lamp to cool.**
2. Loosen the two knurled screws and remove the top cover.
3. Loosen the 2 thumb screws from the lamp socket.
4. Gently take the old lamp out.
5. Replace the new lamp and refit the 2 thumb screws.
6. Put in the new lamp securely into the socket.
7. Tighten the 2 thumb screws and reassemble in reverse order.

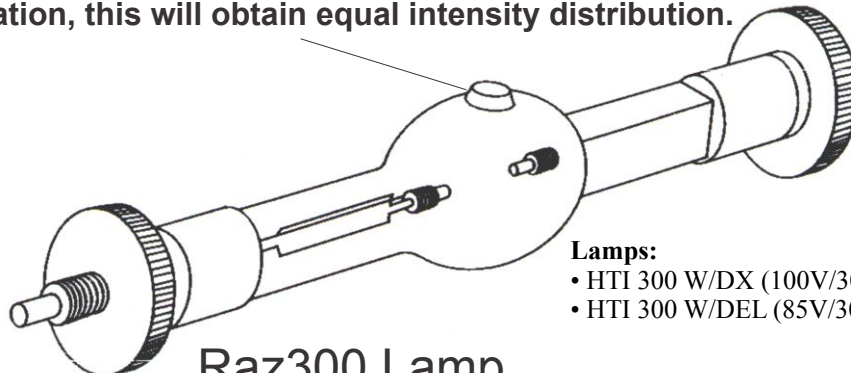
Lamps:

- HTI 300 W/DX (100V/300W 6500°K 750 hrs) included
- HTI 300 W/DEL (85V/300W 5700°K 3000 hrs)optional



REMEMBER ALWAYS REPLACE WITH THE SAME TYPE LAMP AND FUSE.

When changing the lamp, be sure the protuberance of the bulb is upward orientation, this will obtain equal intensity distribution.



Lamps:

- HTI 300 W/DX (100V/300W 6500°K 750 hrs) included
- HTI 300 W/DEL (85V/300W 5700°K 3000 hrs)optional

Raz300 Lamp

FUSE REPLACEMENT

There are five safety features on the Raz300 with enclosure. Three fuses and two thermo cut-off. The Raz300 3 fuses:

- 1.) located in the back of the weather housing
- 2.) located in the back of the fixture housing
- 3.) located within the fixture towards the back

Check all three of the fuses with a ohm meter for a short.
A short means that the fuse is ok.

Fuses: 5mm diameter x 20mm long

- 1.) 6.3 amp fuse is located in the housing.
- 2.) .9 amp fuse is located in the Raz300 compartment.
- 3.) 6.3 amp fuse is located in the Weather proof housing.

Thermo-shut down and reset

- 1.) Located in lamp compartment (Auto reset after cool down)
- 2.) Located in weather proof housing (auto reset after cool down)

Changing fuse

1. Disconnect the fixture from power.
2. With a flat screwdriver wedge the fuse holder out of its housing.
3. Remove the old fuse from the holder and replace with the exact same type fuse.
4. Replace the fuse holder into the fuse holder housing.
5. Reconnect main power

LIGHTING BEYOND THE ORDINARY



Office/Factory: 990 Richard Road, Dyer, Indiana 46311
Phone: (877)264-2153, (219)322-8800
E-Mail: sales@razlight.com
Website: razlight.com holidayprojector.com

Lighting

TECHNICAL SPECIFICATIONS

Overall Size and Weight:	Outdoor Enclosure 36x20x20 total: 55#
Standard lens	50. mm diameter 75 focal length
Lamp base	SKc 10-4
Normal lamp life	3,000 hours
Total lumen output	Approximately 20,000
Color temperature	5700 K
Mains supply	AC 100-120V-50/60 Hz
Power outlet	Chassis male IEC socket
Power consumption	450 watts maximum
Fuse (fast acting)	F6.3A 250V 5x20mm, mounted in fixture and housing
Cooling	Forced air ventilation with axial fan
Accessories(Optional)	Adjustable pivoting mirror (ISP-1) Rotating/static gobo holder (ISP-2)

Lamps for the RAZ300 (Metal Halide Lamp):

- HTI 300w/d5/57 (85V/300W 5700°K 3000 hrs) metal halide lamp
- HTI 300 W/DX (100V/300W 6500°K 750 hrs)
- HTI 300 W/DEL (85V/300W 5700°K 3000 hrs)

Note: Metal halide lamps contain mercury, manage in accordance with disposal laws

See: www.lamprecycle.org or 1-866-666-6850

All rights reserved. Improvement and changes to specifications, design, and this user's manual may be made at any time without prior notice.

LIGHTING BEYOND THE ORDINARY



Office/Factory: 990 Richard Road, Dyer, Indiana 46311

Phone: (877)264-2153, (219)322-8800

E-Mail: sales@razlight.com

Website: razlight.com holidayprojector.com

Lighting

Limited Warranty

RazTech Lighting takes pride in its products and believes they are manufactured to the highest possible standards. Therefore, RazTech warrants its products against defects in materials or workmanship for a period of one (1) year from the date of the original purchase.

This warranty is void in any of the following circumstances: (a) The projector has been misused, neglected, damaged or abused. (b) The projector has been improperly installed, operated, repaired, or maintained. (c) The projector has been modified. (d) The projector has been connected to other equipment with which it is not compatible. (e) The projector has been used or stored in conditions outside its electrical or environmental specifications. (f) The projector has been used for purposes other than for which it was designed. (g) The projector has been used outside its stated specifications and operating parameters.

Correct installation of the projector is the owner’s responsibility. Under no circumstances will RazTech Lighting be liable for direct, indirect, incidental, special or consequential costs or damages, including dismantling and re-installation costs, loss of operations or profits. RazTech Lighting accepts no liability for personal injury or property damage resulting from failure to heed relevant operating and safety procedures specified by RazTech or imposed by law.

RazTech Lighting will, at its option, repair or replace any of it’s products covered by warranty without cost to the consumer for either parts or labor provided the warranty card is sent back to RazTech within 15 days from the date of purchase, subject to a valid warranty claim. Light bulbs are excluded from this warranty. If warranty period has expired, or other terms of the warranty are not met, a service charge will be made according to the repairs needed, and the unit returned to you C.O.D. RazTech Lighting disclaims any other express or implied warranties, including warranties of merchantability or fitness for purpose, to the maximum extent permitted by law.

RazTech Lighting has a policy of ongoing product improvement and specifications are subject to change without notice.

**WARRANTY CARD
DETACH and MAIL WITHIN 15 DAYS**

NAME OF PURCHASER _____

ADDRESS _____

CITY _____

STATE _____ **ZIP** _____

PRODUCT NAME _____

DATE PURCHASED _____ **SERIAL NO.** _____

STORE NAME _____

COMMENTS ABOUT PRODUCT _____

READ ALL INSTRUCTIONS

SAFETY SHEET

WARNING: WHEN USING OUTDOOR PORTABLE LAMPS, BASIC SAFETY PRECAUTIONS SHOULD ALWAYS BE FOLLOWED TO REDUCE THE RISK OF FIRE, ELECTRIC SHOCK , AND PERSONAL INJURY:

USE ONLY A THREE-WIRE OUTDOOR EXTENSION CORD AND GROUNDED RECEPTACLE.

USE A GROUND FAULT CIRCUIT INTERRUPTER (GFCI) PROTECTED CIRCUIT.

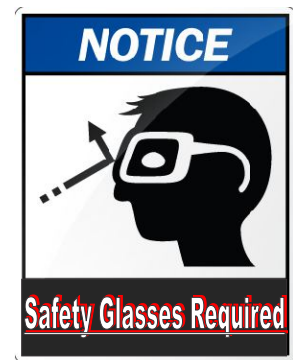
DO NOT USE WITH THE EXTENSION CORD NEAR WATER OR WHERE WATER MAY ACCUMULATE.

KEEP THE LIGHT AT LEAST 16 FEET FROM POOLS AND SPAS.

KEEP THE PLUG AND RECEPTACLE DRY.

Lighted Lamp Is Hot!

- Turn off/unplug and allow to cool before replacing lamp.
- Lamp gets HOT quickly! Contact only switch/plug when turning on.
- Do not touch hot lamp, lens, guard, or enclosure.
- Do not remain in light path if skin feels warm.
- Do not look directly at lighted lamp.
- Keep lamp away from materials that may burn.
- Use only with wattage of lamp marked on fixture.
- Do not touch the lamp bulb or inner reflector at any time.
- Use a soft cloth, oil from skin may damage lamp.
- Do not operate the luminaries fitting with a missing or damaged shield.
- Keep lens assembly out of sun path, damage of film may result.
- Always lock lens and lamp assembly with front and back retaining screws.
- Do not look into the sun or lamp with lens or lens assembly.



SAVE THESE INSTRUCTIONS

Visit us at: RazLight.com

If you have any questions please call:

RAZTECH Established 1983
Manufacturing
Engineering

Factory: 990 Richard Road, Dyer, Indiana 46311
Phone: (877)264-2153, (219)322-8800
E-Mail: sales@razlight.com
Web: RazLight.com

Lighting