

ODiLite™ Quick Instructions



ODiLite film projector features

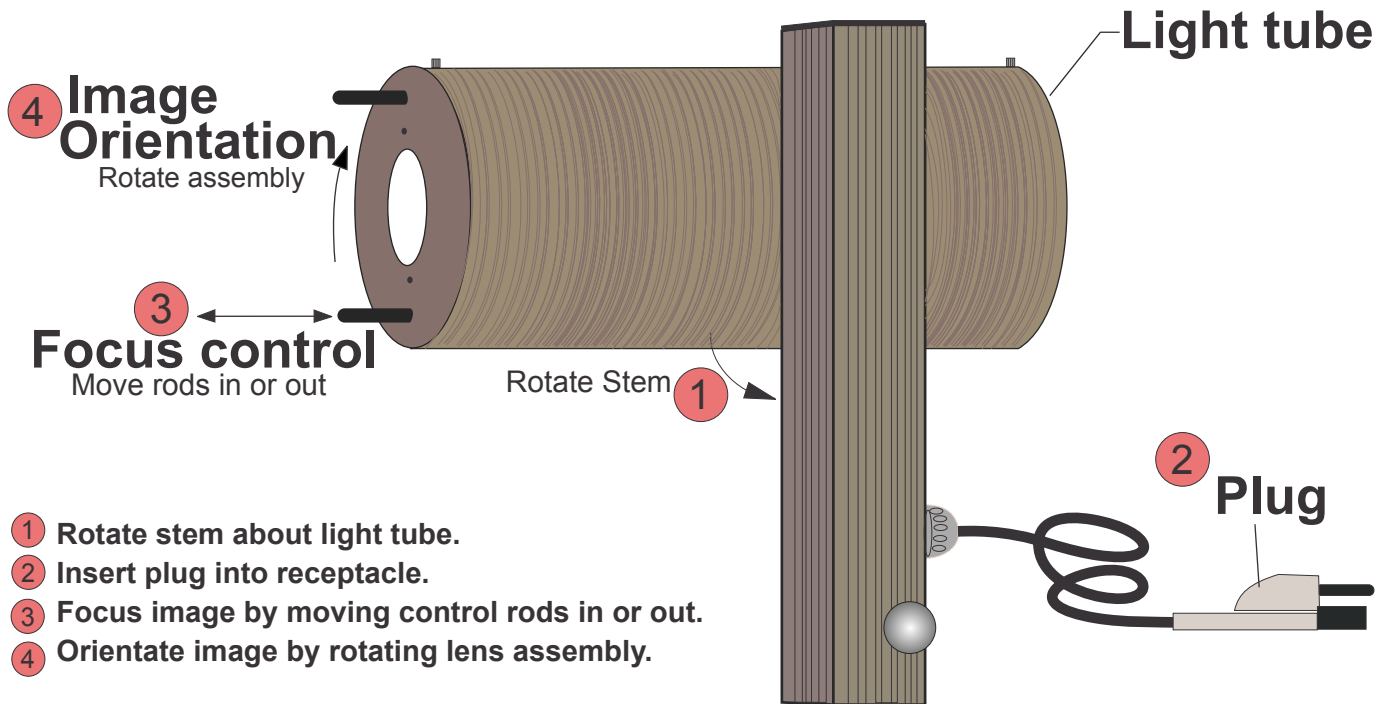
- Removable front lens and film assembly provide easy film insertion.
- Constructed consists of aluminum and stainless steel components.
- Includes quality optical glass lenses and 5,000 hour halogen lamp.
- Focus and image orientation are easily adjusted by external control.

Options

- Lens kit ----- Lens assemblies to increase or decrease the image size.
- RazRock ----- Rock enclosure to add weather protection.
- Tamper kit --- Special hardware for tamper proofing.
- Images ----- Wide selection of color film, foil, metal, and glass images.
Go to http://www.razlight.com/Images_menu.htm

Warning: TO AVOID RISK OF ELECTRICAL SHOCK. BE SURE TO SHUT OFF POWER WHILE INSTALLING OR SERVICING THIS FIXTURE. SEE SAFETY PAGE FOR DETAILS.

Keep these Instructions
Read Safety Instructions carefully on the following page



- 1 Rotate stem about light tube.
- 2 Insert plug into receptacle.
- 3 Focus image by moving control rods in or out.
- 4 Orientate image by rotating lens assembly.

Please send in your warranty card to receive an updated image catalog. Visit us at www.razlight.com for the latest information, lamps, film images and more.

LIGHTING BEYOND THE ORDINARY

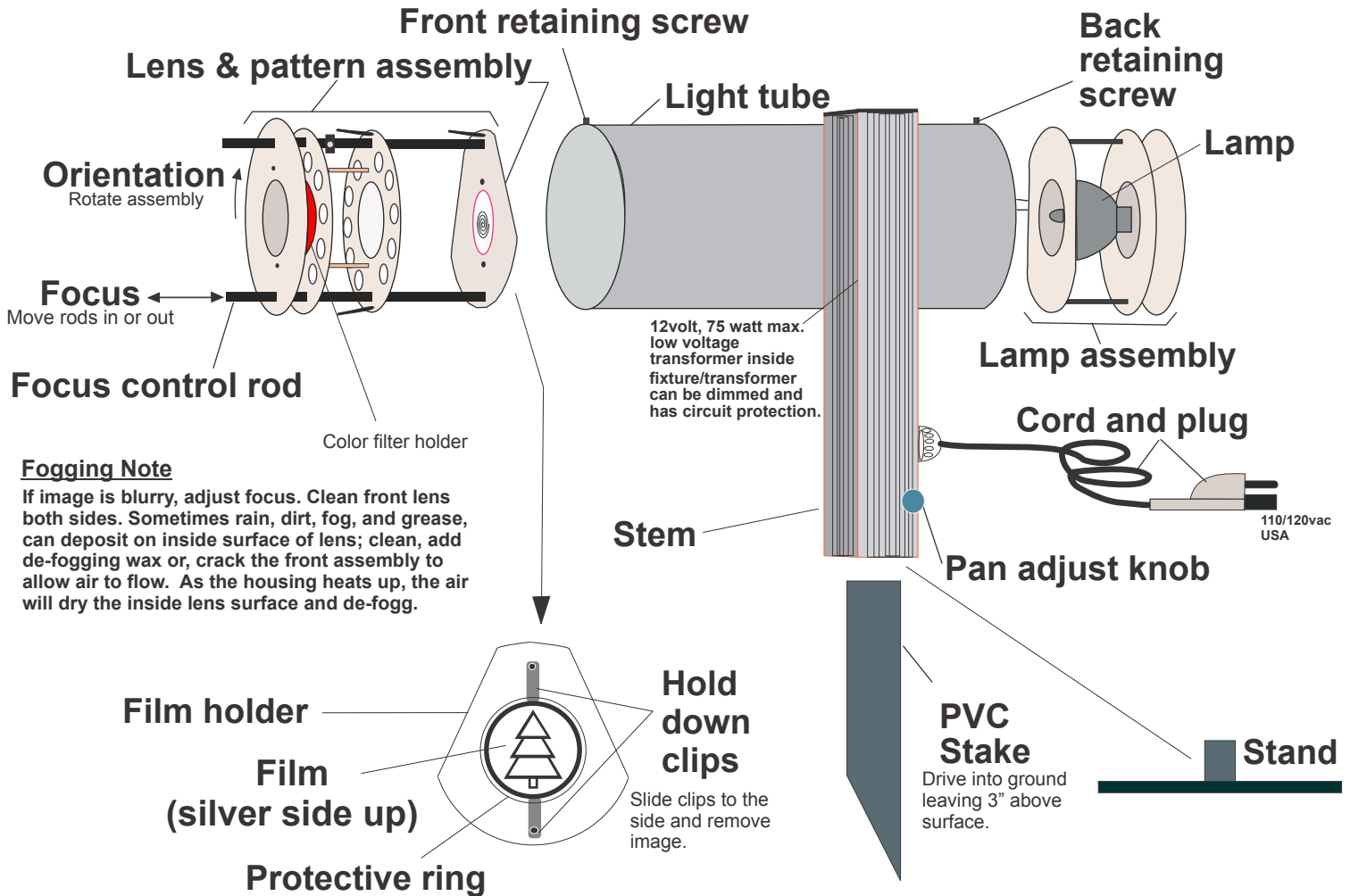


Office/Factory: 990 Richard Road, Dyer, Indiana 46311
 Phone: (877)264-2153, (219)322-8800
 E-Mail: sales@razlight.com
 Website: razlight.com

Lighting

ODiLite™

Detailed Instructions



- 1.) Remove light fixture from box and swivel light tube about stem.
- 2.) Plug cord into receptacle.
- 3.) To Focus image move control rods in or out.
- 4.) Orientate image by rotating lens assembly within light tube.

OPTIONS:

Call or go to website for details

lamps
stand
fan
lens kits
Rock enclosure
Dome enclosure

Visit us at: RazLight.com

Please send in your warranty card to receive an updated image catalog.

LIGHTING BEYOND THE ORDINARY



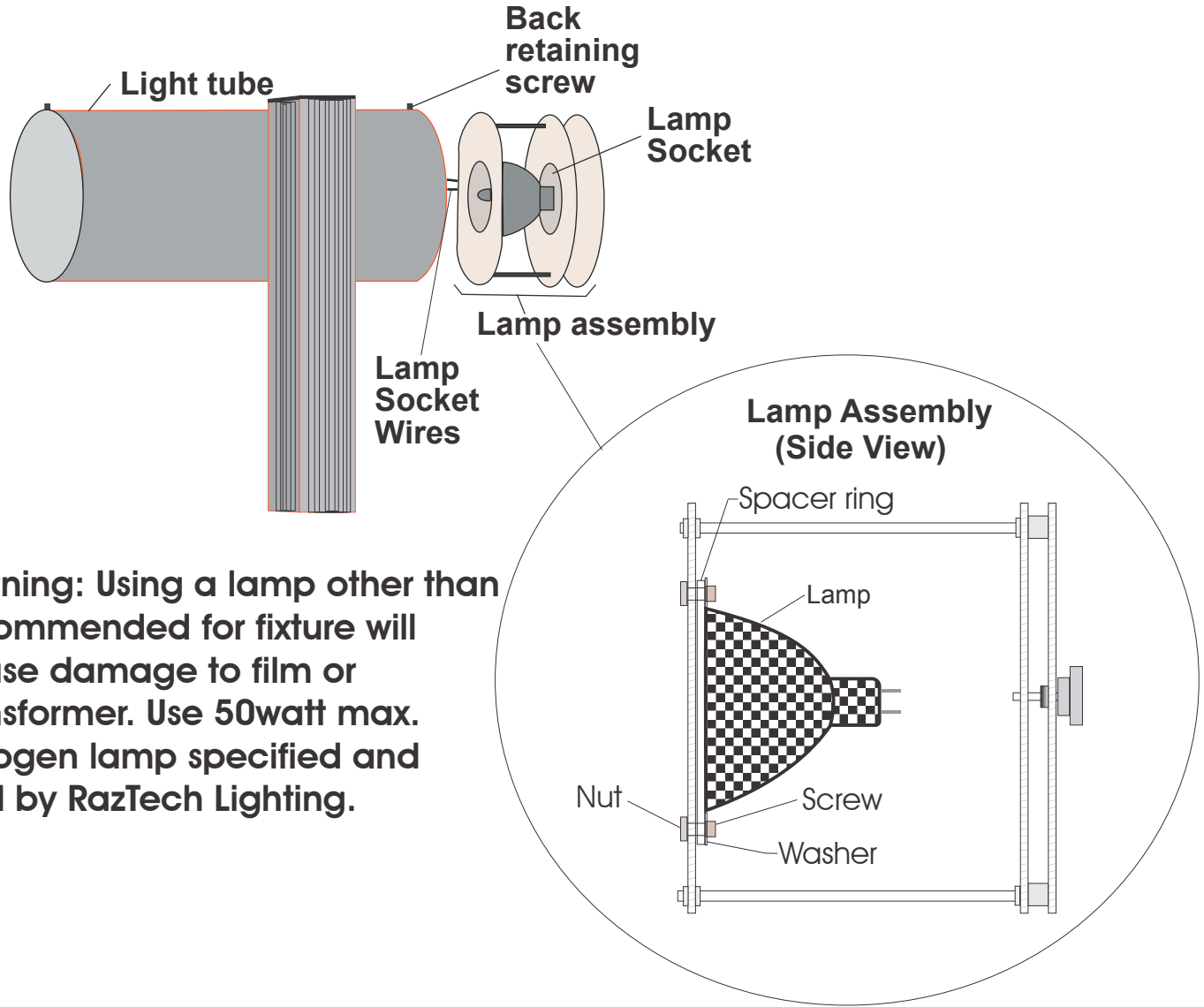
Office/Factory: 990 Richard Road, Dyer, Indiana 46311
Phone: (877)264-2153, (219)322-8800
E-Mail: sales@razlight.com
Website: razlight.com

Lighting

Lamp Changing Instructions

Unplug and let lamp cool down before lamp changing.

Loosen back retaining screw and slowly pull lamp assembly half way out. Unplug lamp socket and remove lamp from light tube. Loosen both retaining nuts and remove lamp. Plug in new lamp(RAZ1275N) and reverse disassembly process. **Be careful not to bend lamp pins or touch lamp inner reflector or bulb.** Also check and tuck lamp socket wires away from light beam.



Warning: Using a lamp other than recommended for fixture will cause damage to film or transformer. Use 50watt max. Halogen lamp specified and sold by RazTech Lighting.

LIGHTING BEYOND THE ORDINARY



Office/Factory: 990 Richard Road, Dyer, Indiana 46311
Phone: (877)264-2153, (219)322-8800
E-Mail: sales@razlight.com
Website: razlight.com

READ ALL INSTRUCTIONS

SAFETY SHEET

WARNING: WHEN USING OUTDOOR PORTABLE LAMPS, BASIC SAFETY PRECAUTIONS SHOULD ALWAYS BE FOLLOWED TO REDUCE THE RISK OF FIRE, ELECTRIC SHOCK , AND PERSONAL INJURY:

USE ONLY A THREE-WIRE OUTDOOR EXTENSION CORD AND GROUNDED RECEPTACLE.

USE A GROUND FAULT CIRCUIT INTERRUPTER (GFCI) PROTECTED CIRCUIT.

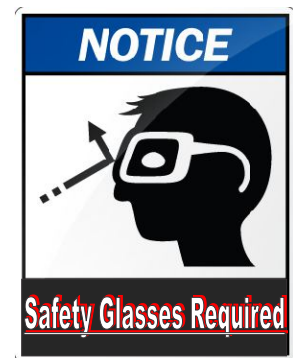
DO NOT USE WITH THE EXTENSION CORD NEAR WATER OR WHERE WATER MAY ACCUMULATE.

KEEP THE LIGHT AT LEAST 16 FEET FROM POOLS AND SPAS.

KEEP THE PLUG AND RECEPTACLE DRY.

Lighted Lamp Is Hot!

- Turn off/unplug and allow to cool before replacing lamp.
- Lamp gets HOT quickly! Contact only switch/plug when turning on.
- Do not touch hot lamp, lens, guard, or enclosure.
- Do not remain in light path if skin feels warm.
- Do not look directly at lighted lamp.
- Keep lamp away from materials that may burn.
- Use only with wattage of lamp marked on fixture.
- Do not touch the lamp bulb or inner reflector at any time.
- Use a soft cloth, oil from skin may damage lamp.
- Do not operate the luminaries fitting with a missing or damaged shield.
- Keep lens assembly out of sun path, damage of film may result.
- Always lock lens and lamp assembly with front and back retaining screws.
- Do not look into the sun or lamp with lens or lens assembly.



SAVE THESE INSTRUCTIONS

Visit us at: RazLight.com

If you have any questions please call:

RAZTECH Established 1983
Manufacturing
Engineering

Factory: 990 Richard Road, Dyer, Indiana 46311
Phone: (877)264-2153, (219)322-8800
E-Mail: sales@razlight.com
Web: RazLight.com

Lighting

Limited Warranty

RazTech Lighting takes pride in its products and believes they are manufactured to the highest possible standards. Therefore, RazTech warrants its products against defects in materials or workmanship for a period of one (1) year from the date of the original purchase.

This warranty is void in any of the following circumstances: (a) The projector has been misused, neglected, damaged or abused. (b) The projector has been improperly installed, operated, repaired, or maintained. (c) The projector has been modified. (d) The projector has been connected to other equipment with which it is not compatible. (e) The projector has been used or stored in conditions outside its electrical or environmental specifications. (f) The projector has been used for purposes other than for which it was designed. (g) The projector has been used outside its stated specifications and operating parameters.

Correct installation of the projector is the owner’s responsibility. Under no circumstances will RazTech Lighting be liable for direct, indirect, incidental, special or consequential costs or damages, including dismantling and re-installation costs, loss of operations or profits. RazTech Lighting accepts no liability for personal injury or property damage resulting from failure to heed relevant operating and safety procedures specified by RazTech or imposed by law.

RazTech Lighting will, at its option, repair or replace any of it’s products covered by warranty without cost to the consumer for either parts or labor provided the warranty card is sent back to RazTech within 15 days from the date of purchase, subject to a valid warranty claim. Light bulbs are excluded from this warranty. If warranty period has expired, or other terms of the warranty are not met, a service charge will be made according to the repairs needed, and the unit returned to you C.O.D. RazTech Lighting disclaims any other express or implied warranties, including warranties of merchantability or fitness for purpose, to the maximum extent permitted by law.

RazTech Lighting has a policy of ongoing product improvement and specifications are subject to change without notice.

**WARRANTY CARD
DETACH and MAIL WITHIN 15 DAYS**

NAME OF PURCHASER _____

ADDRESS _____

CITY _____

STATE _____ **ZIP** _____

PRODUCT NAME _____

DATE PURCHASED _____ **SERIAL NO.** _____

STORE NAME _____

COMMENTS ABOUT PRODUCT _____

RazTech Lighting LLC., Office/Factory: 990 Richard Road, Dyer, Indiana 46311